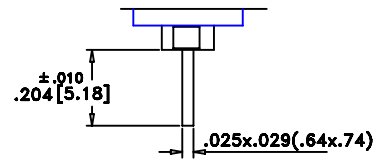
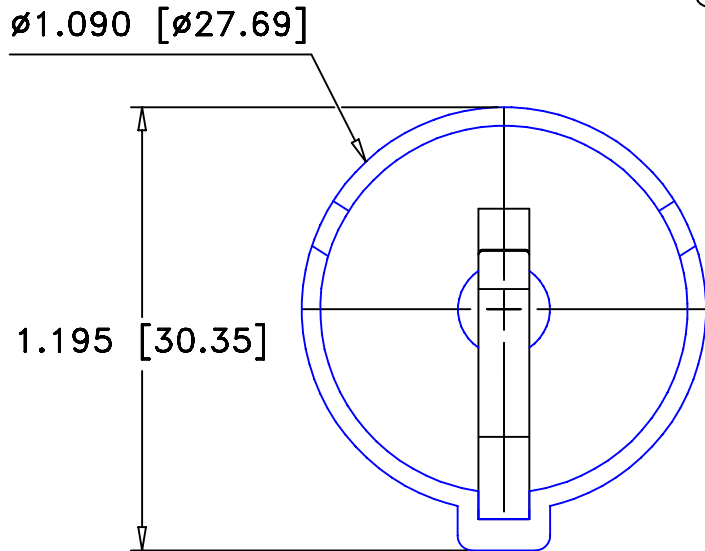
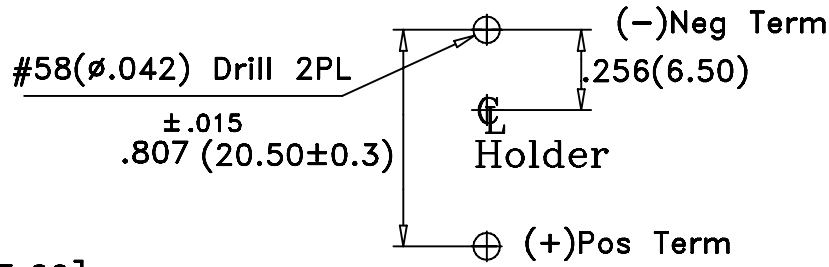
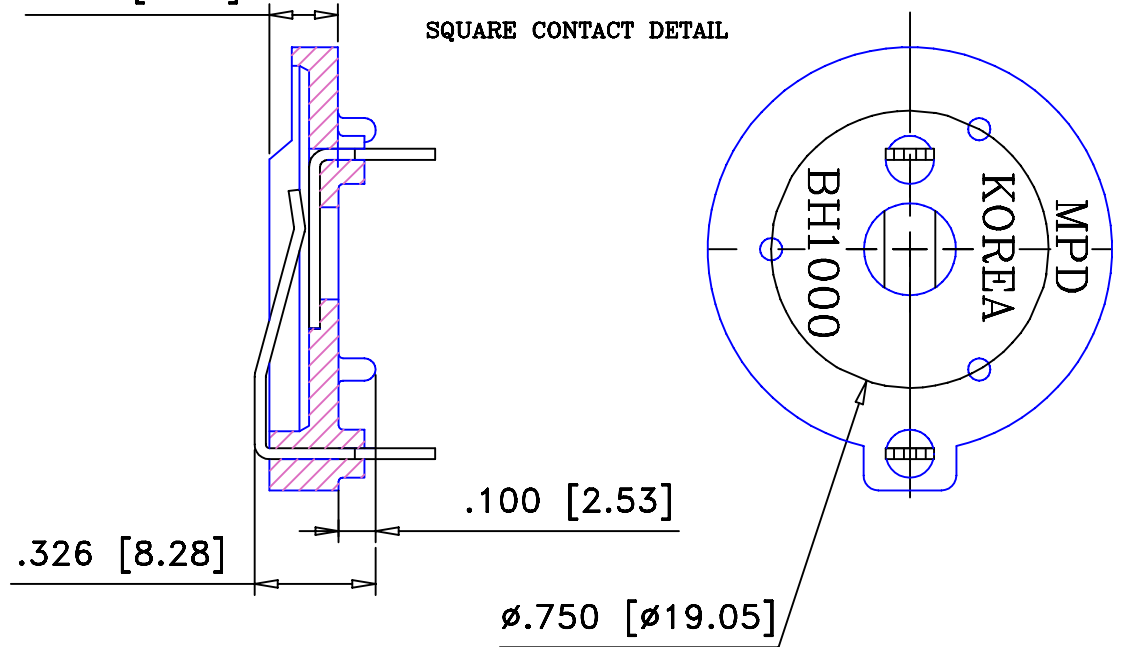


PCB LAYOUT

Date	SYM	REVISION RECORD	AUTH	DR.	CK.




SQUARE CONTACT DETAIL



SPECIFICATIONS

- *Holder material—thermoplastic, black PBT
- *Flammability rating—UL94V-0, File No.88499(M)
- *Contacts—302 spring temper stainless steel nickel plated overall
- *Dielectric strength—560volts/mil at 25°C for 5seconds
- *Temperature range— -55° to +180°C
- *Resistance to solvents—Xylene,ethyl,butyl,methyl&proptl alcohol;ethyl acetate,heptane;toluene;refrigerant

Tolerance (Except as noted)	 Memory protection Devices, Inc 200 Broad Hollow Road, Farmingdale, New York 11735	Scale	Drawn By T.S.
		4=1	Approved By T.B.
decimal ±.5 (.020)	Title BR/CR/DL 2420, 2430 COIN BATTERY HOLDER		
Fractional ± .8 (.030)	Date 10/28/00	Drawing Number BH1000	
Angular ± 3°			